



# AABURCO, INC.

**OLIVER**<sup>®</sup>  
PRODUCTS COMPANY

## BUN DIVIDER MODEL 623

Constructed of cast iron and cast aluminum. Sanitary stainless steel pan included. Model 623 divides 36 pieces up to 4 oz. (113g) each. Model 623-16 divides 16 pieces up to 8 oz. (227g) each.



### Features

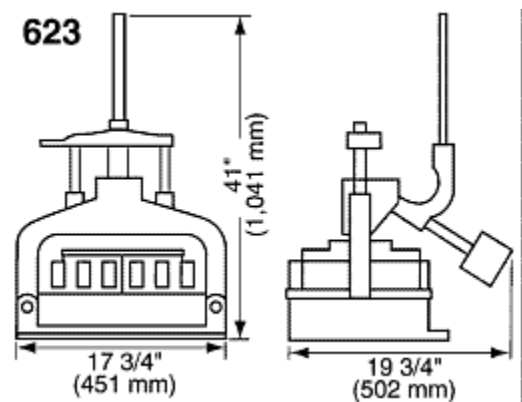
- Constructed of cast iron and cast aluminum.
- Sanitary stainless steel pan included.
- Model 623 divides 36 pieces up to 4 oz. (113g) each.
- Model 623-16 divides 16 pieces up to 8 oz. (227g) each.

#### Dimensions:

Shipping Weight: 150lbs. (68kg)  
Net Weight: 135lbs. (61kg)  
Height: 41" (1,041mm)  
Width: 17 3/4" (451mm)  
Length: 19 3/4" (502mm)  
Optional: floor stand with casters.

**Price: \$1995.00\***

\*Price subject to change without notification



13421 Grass Valley Avenue ◊ Grass Valley, Ca 95945  
P: 530-273-9353 ◊ USA Only 800-533-7437 ◊ F: 530-273-9312  
Email: [support@piemaster.com](mailto:support@piemaster.com) ◊ website: [www.Piemaster.com](http://www.Piemaster.com)